

Hexaline Heat exchanger

Own thermal engineering

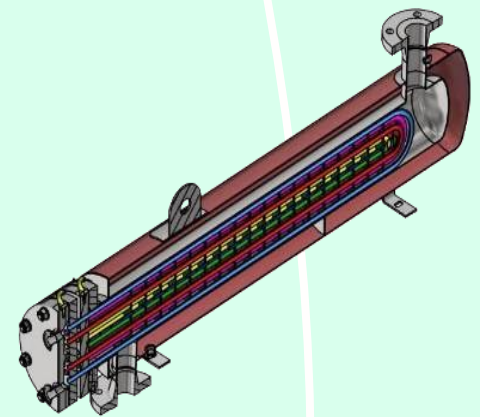
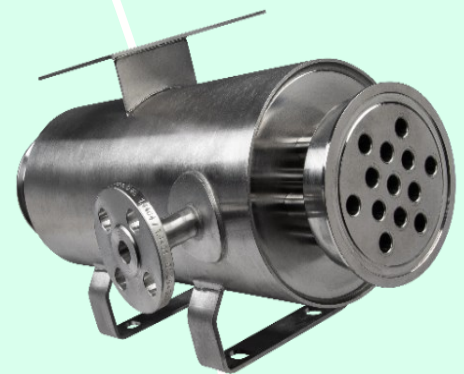
Tailor-made product solutions for your individual heating or cooling tasks including own thermal engineering:

- Multi-tube
- U-tube with removable bundle
- Tube-in-tube,
- Heat exchangers with a slope for draining.

We are also happy to offer you insulation, expansion joints, venting or draining of the heating jacket or calculate statics, etc.

Technical Data

	Energy & Environmental	Food & Beverage	Healthcare
Design	Completely welded	With removable heads	Double-tube sheet
Inner Surfaces	Matt pickled	Ra < 0.8 / SN 1.6 µm (acc. to EN 10357) grinded / brushed	e-polished / Ra ≤ 0.38 µm (acc. to EN 10216-5)
Material product	1.4404 / 1.4571, others upon request like Hastelloy	1.4404 / 1.4571	1.4404 / 1.4435, if necessary, with limited dFerrit content
Connections N1 & N2	V-Flange EN 10921/11	Clamp DIN 32676	Aseptic connections DIN11864



Hexaline Heat exchanger

Dead-space reduced DTS-Heat Exchanger in pharmaceutical design

Special aseptic clamp head with perforated-clamp-plate and aseptic o-ring, with FDA & USP Class VI

Skid-design

Skids with double-tube heat exchangers - we can also make this possible for you.

Pressure equipment

Design and calculation according to AD2000 as standard. Our heat exchangers can also be supplied with the following approvals:



PED 2014/68/EU Module A to H/H1 -- European Pressure Equipment Directive



ASME -- For export to the USA and more than 100 countries worldwide which accept the application of the ASME code.



SELO licence -- Approval procedure of the Chinese authority for pressure tanks.



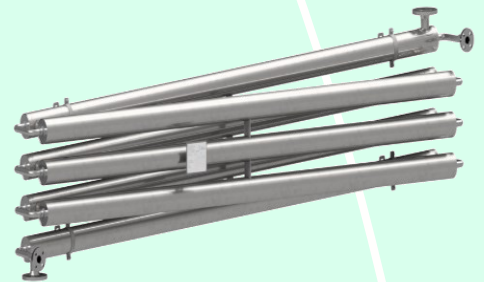
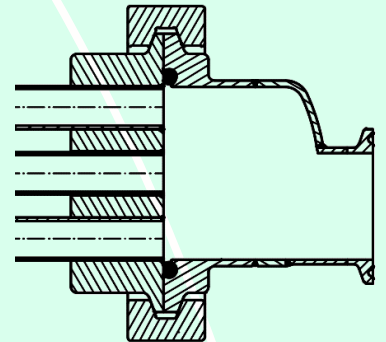
CRN -- Pressure devices for Canada



KEA -- Certification of machinery and equipment for the South Korean market.



JIS -- The Japanese Industrial Standards determine the standards used in industrial activities in Japan.



A company of the
GESCO-Group

Sommer & Strassburger GmbH
GewerbestraÙe 32
75015 Bretten - Gölshausen

Tel.: +49 (0) 72 52 / 93 95 - 0

E-Mail: info@sus-bretten.de

www.sus-bretten.de

